

# Sanitary Mixers



Where Innovation Flows



## NEPTUNE SANITARY MIXERS ARE IDEAL FOR SANITARY MIXING APPLICATIONS

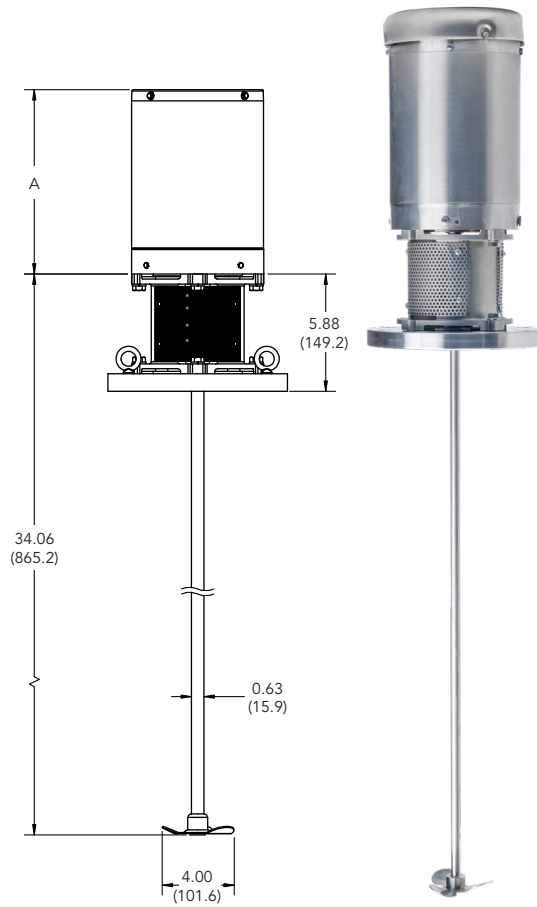
Neptune's Sanitary Mixers are the premier line of small direct-drive mixers for mixing small batches of low-viscosity fluids in sanitary applications. These mixers can be easily mounted for optimum mixing. The BNS Series includes 8 models, which feature 32" (812.8 mm) shaft lengths and 5/8" (15.9 mm) shaft diameters. Flange sizes range from 4" to 6" (101.6 to 152.4 mm) and a power range between 1/3 and 1/2 hp. Sanitary applications include food and beverage, dairy, pharmaceutical and cosmetics.

## FEATURES AND BENEFITS

- Easy mounting - bolts to sanitary tank flanges for an easy clean connection
- All exterior parts are stainless steel for sanitary applications
- FDA compliant Duralast 4203 shaft seal to prevent contamination
- Off-the-shelf delivery
- Standard ANSI B16.5 Class 150 Flange Mount
- Certified to meet 3A standards



Neptune extends its BN Series of small-batch mixers with a new Sanitary Mixer – the BNS Series. The BNS Series mixer is equipped with all stainless-steel exterior components for ease of cleaning in sanitary applications, along with a standard ANSI B16.5 Class 150 flange mount. Backed by a 3-A certification, Neptune’s Sanitary Mixer BNS Series has been engineered to meet the regulatory guidelines established for sanitary process applications.




MODEL	STANDARD MOTOR DESCRIPTION	DIMENSIONS INCHES (MM)			
		FLANGE SIZE	SHAFT LENGTH	SHAFT DIAMETER	A
BNS-2.1.4	1/3 HP-1PH-115/230 Stainless Steel	4 (101.6)	32 (812.8)	5/8 (15.9)	9.64 (244.9)
BNS-2.1.6	1/3 HP-1PH-115/230 Stainless Steel	6 (152.4)	32 (812.8)	5/8 (15.9)	9.64 (244.9)
BNS-2.2.4	1/3 HP-3PH-230/460 Stainless Steel	4 (101.6)	32 (812.8)	5/8 (15.9)	7.72 (196.1)
BNS-2.2.6	1/3 HP-3PH-230/460 Stainless Steel	6 (152.4)	32 (812.8)	5/8 (15.9)	7.72 (196.1)
BNS-3.1.4	1/2 HP-1PH-115/230 Stainless Steel	4 (101.6)	32 (812.8)	5/8 (15.9)	10.64 (270.3)
BNS-3.1.6	1/2 HP-1PH-115/230 Stainless Steel	6 (152.4)	32 (812.8)	5/8 (15.9)	10.64 (270.3)
BNS-3.2.4	1/2 HP-3PH-230/460 Stainless Steel	4 (101.6)	32 (812.8)	5/8 (15.9)	9.16 (232.7)
BNS-3.2.6	1/2 HP-3PH-230/460 Stainless Steel	6 (152.4)	32 (812.8)	5/8 (15.9)	9.16 (232.7)

NPT-10320-F-01

Copyright 2021 PSG®, a Dover company

Authorized PSG® Partner:

Where Innovation Flows 

**Neptune**

PSG  
 22069 Van Buren Street  
 Grand Terrace, CA 92313-5651 USA  
 P: +1 (909) 422-1700 • F: +1 (909) 783-3440  
[psgdover.com/neptune](http://psgdover.com/neptune)