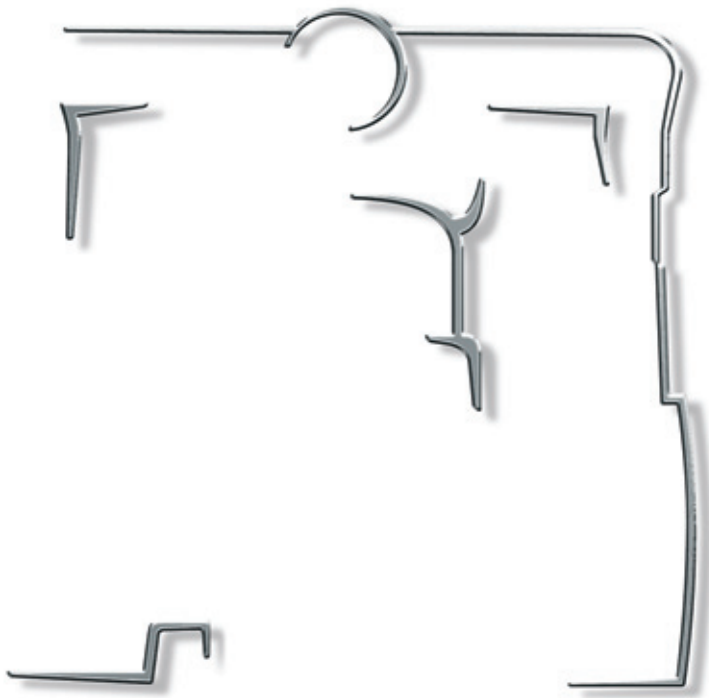


## *Smoothflow* Pump

# BPL

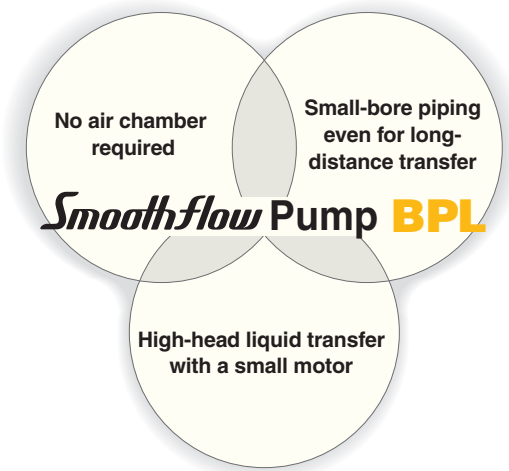
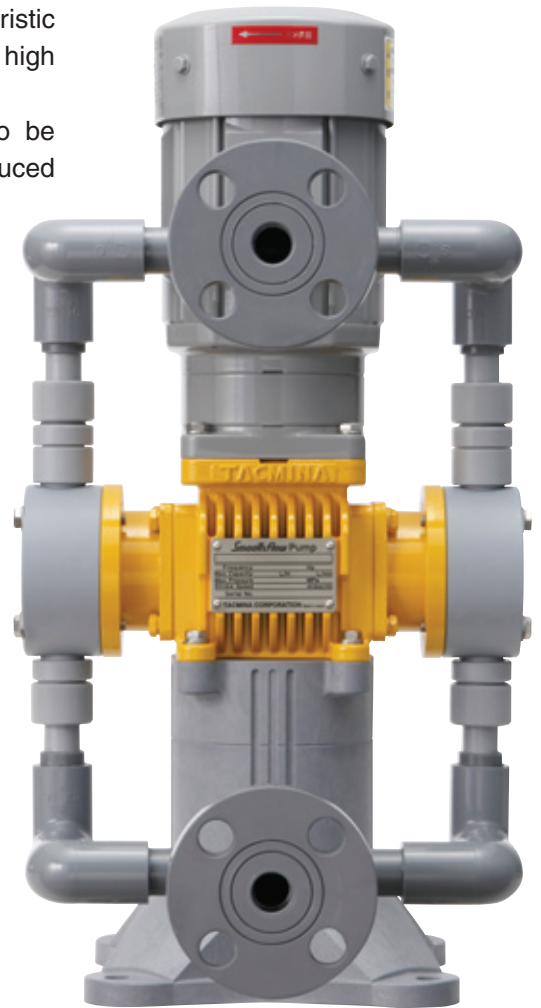
Direct-driven type

Metered transfer & injection



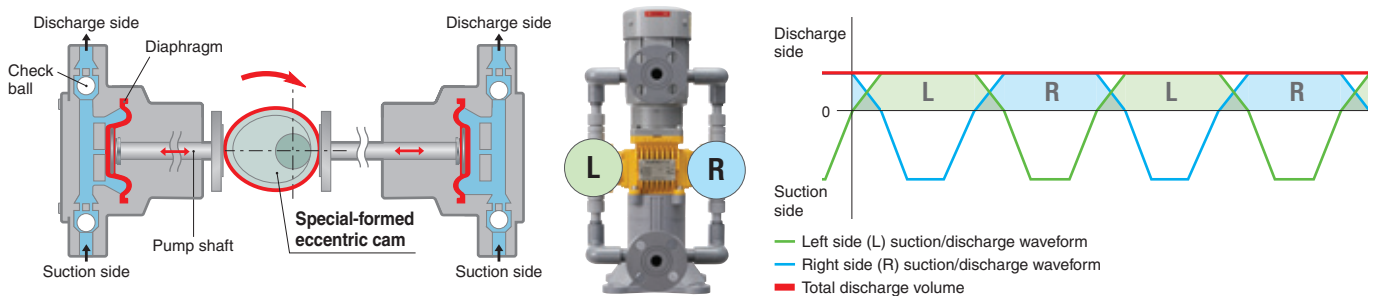
# Heralding a revolution in piping design practice.

The BPL Smoothflow pump eliminates the pulsation that is characteristic of diaphragm pumps, and transfers liquids in precise amounts up to a high pump head, even through small-bore pipework over a long distance. There is no need for auxiliary units, enabling uncluttered lines to be constructed and contributing to significant energy savings with reduced carbon dioxide levels. This is the pump that heralds a revolution in piping design practice.



## Special-formed eccentric cam for continuous constant flow with no pulsation

The Special-formed eccentric cam incorporates a simple drive mechanism with a single-cam construction which ensures that the sum of the volumes discharged from the left and right pump heads remains constant to create a continuous flow. The discharge volume of liquids can be controlled with a high degree of precision.



\*This schematic diagram is for illustrative purposes.

### For Those Who Want Total Control in Liquid Flow

Smoothflow — the ideal method of liquid transfer. This innovative method not only meets your liquid transfer needs, but provides optimal solutions to Man, liquids and the environment as well. TACMINA's Smoothflow technology, based on unique know-how cultivated over 50 years, delivers you ultimate performance and provides complete satisfaction.

Ideal Method of Liquid Transfer

**Smoothflow**

- Constant & Stable Flow
- Eco-Friendly
- Economical
- Gentle on Liquids

## VS Conventional Diaphragm Pumps

# Every part is designed to improve efficiency and to reduce the overall cost.



### Safe

#### No more dangers posed by air chambers

Air chambers have been eliminated to banish any risk of chemical being splattered or spilled.



### Cost-saving

#### Reduced expenses involved in long distance pipework

Small-bore pipework, even over a long distance, can now be used since there is no pulsation.

#### Reduced running costs

Maintenance costs are lower since there is no longer any need to recharge air chambers or adjust the pressure.



### ECO

#### Contribution to energy saving

This pump has lower power consumption than conventional diaphragm pumps.



### Easy & Accurate

#### Easy metering of flow rates

The discharge volume of liquid can be easily checked with a flow meter since the flow rate is constant.

#### No fear of injection fluctuation

Uniform injection is achieved because the liquid flow is continuous without pulsation.

## VS Rotary Pumps

# Eco-friendly & worry-free operation



### Safe

#### No leakage of chemical outside the pump

No liquid can leak from the pump because there are no mechanical seals.

#### No damage even when idling

There are no sliding parts, so the pump will not be damaged even when idling while the tank is empty.



### Cost-saving

#### Minimum maintenance required

These pumps have few consumable parts, and they are also easy to disassemble and replace.



### ECO

#### Contribution to energy saving

Liquid can be transferred to a high pump head by a small motor, resulting in less power consumption.



### Accurate & Gentle

#### Precise liquid transfer even at a very low flow rate

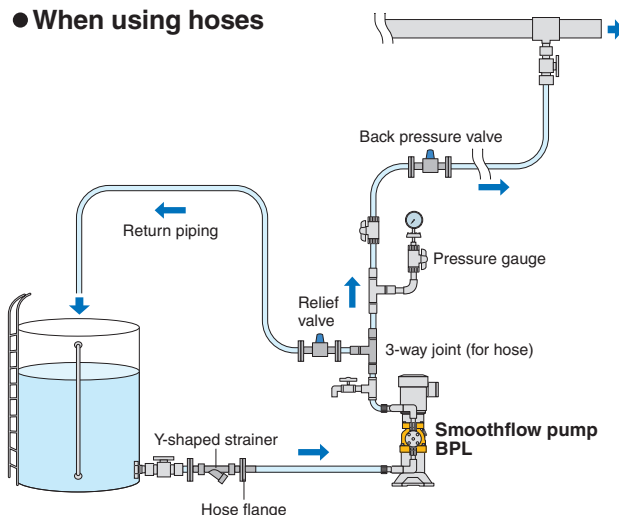
The outstanding sealing characteristics of the valve seats prevent backflow and enable even a very small volume of liquid to be injected with a high degree of precision.

#### No deterioration of the transferred liquid

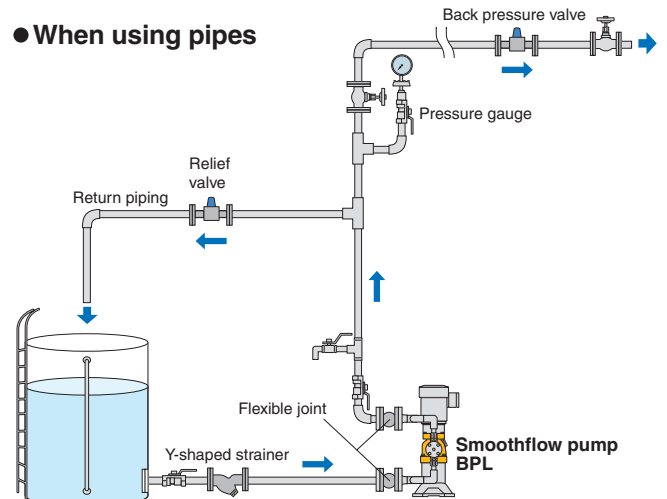
There are no sliding parts, so there is no deterioration of the transferred liquid induced by shearing, wear, pressurization or temperature change.

## Examples of Recommended Piping

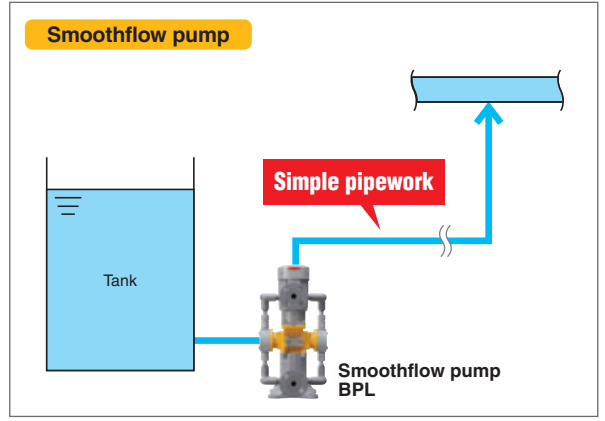
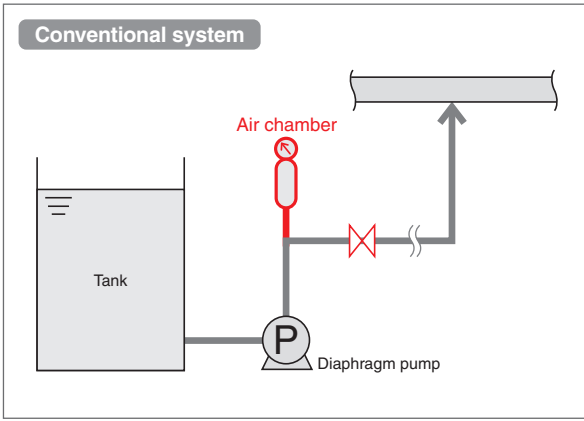
### When using hoses



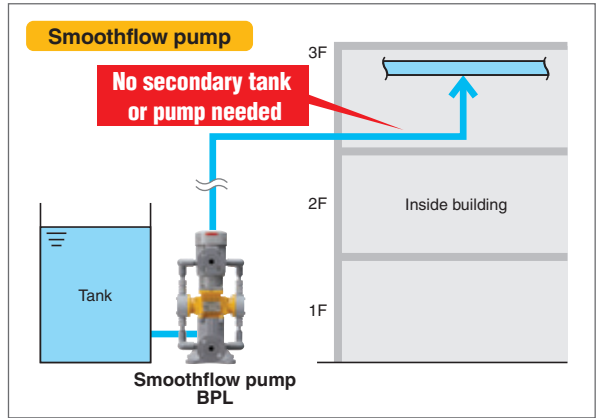
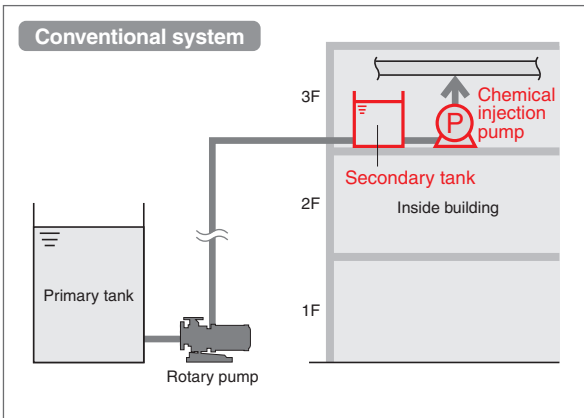
### When using pipes



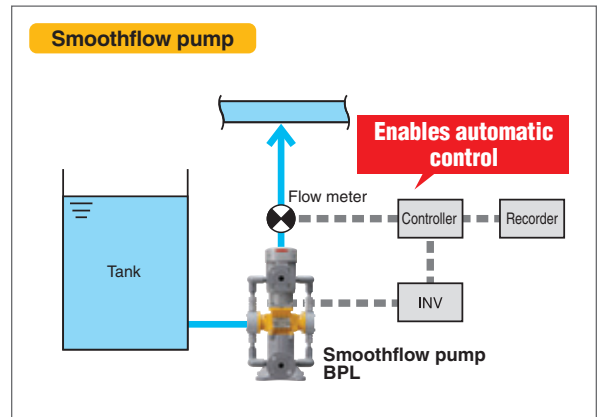
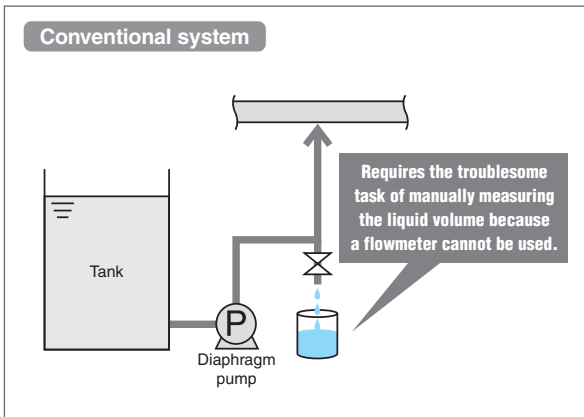
## ■ Example : Injection of sodium hypochlorite



## ■ Example : Chemical transfer to a high pump-head over a long distance



## ■ Example : Liquid volume control using flowmeter



## ■ Auxiliary Devices & Options



### Inverter

This helps to save energy and also enables the flow rate to be remotely controlled. It can be installed outdoors or mounted on a cart. Purpose-made control boxes can also be provided.



### Flow meter

This enables the flow rate to be calibrated and monitored. Meters can be selected according to the flow rate and corrosivity of the transferred liquid.



### Back pressure valve\*

This valve prevents overfeeding\*<sup>1</sup> and siphoning\*<sup>2</sup> phenomena. Provide the back pressure valve near the injection point on the discharge-side piping.



### Relief valve

This relief valve automatically releases excess pressure that builds up in the discharge-side piping of the pump to prevent unexpected accidents.



### Trolley type

The trolley type unit with casters can be easily moved for installation at different sites and easily integrated into other equipment.

\*<sup>1</sup> Phenomenon where the momentum (inertia) of the push process in a flow having pulsation causes discharge to continue even in the stroke in which the pump is not discharging

\*<sup>2</sup> Phenomenon where chemicals are sucked out naturally and continue to flow even with pump operation stopped as the tip of the pump's discharge-piping is located lower than the level of the liquid in the suction-side tank

\* Note that the back pressure valve will no longer be able to operate correctly if dirt builds up inside the valve.

## Model Code

**BPL** — **005** — **VTCE** — **H** **W** **X** — **CE**

1                      2                      3                      4                      5                      6                      7



BPL-1-VTCE-HWS

### 1 Series name

### 4 Connection type\*2

H : Hose\*3  
 F : JIS flange  
 A : ANSI flange\*4  
 D : DIN flange\*4  
 U : Union  
 M : Screw (Rp female screw)\*3

### 2 Model (discharge-volume standard)

005 / 01 / 02 / 03 / 06 / 1 / 2 / 3 / 5  
 10 / 20 / 30

### 5 Joint specification\*5

W : Standard  
 V : High-viscosity type

### 6 General specification\*6

S : Standard  
 X : Special  
 Blank : None  
 CE : CE marking-compatible\*6

### 3 Liquid-end material\*1

	Pump head	Diaphragm	Check ball	O-ring
VTCE	PVC	PTFE	Ceramic	EPDM
VT6F	PVC	PTFE	Ceramic	Fluoro rubber
VT6E	PVC	PTFE	SUS316	EPDM
VT6F	PVC	PTFE	SUS316	Fluoro rubber
STST	SUS304	PTFE	SUS304	PTFE

\*1 "005" cannot be selected as the model in 2 for VT6E/VT6F. "V" is selected in 5.  
 The pump head material of STST 10 to 30 is SCS14 (equivalent to SUS316).

\*2 "005 to 2" can be selected as the model in 2 for the hose.

Up to "005 to 2" can be selected as the model in 2 for the union type; "STST" is selected in 3.  
 Up to "005 to 2" can be selected as the model in 2 for the screw type; "VTCE/VT6F" is selected in 3.

\*3 For those who would like to use a non-standard hose size (standard size specifications listed below), select M rather than H, and designate your desired hose size from the specification list below.

\*4 Only 380V, 400V and 440V motor can be selected for ANSI/DIN connection type.

\*5 "VT6E/VT6F" should be selected in 3 for the high-viscosity type.

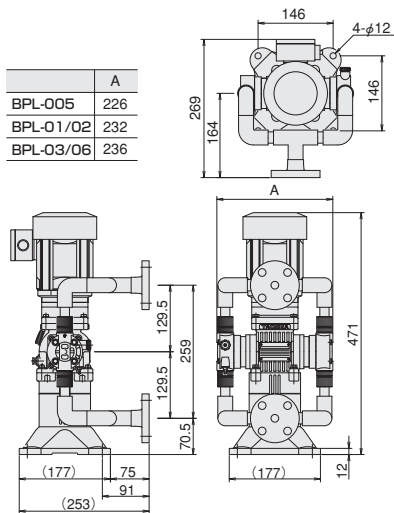
\*6 Select "X" in 6, if "CE" is selected in 7.

Only 380V and 400V motor (50Hz) can be selected for CE marking-compatible model.

## External Dimensions

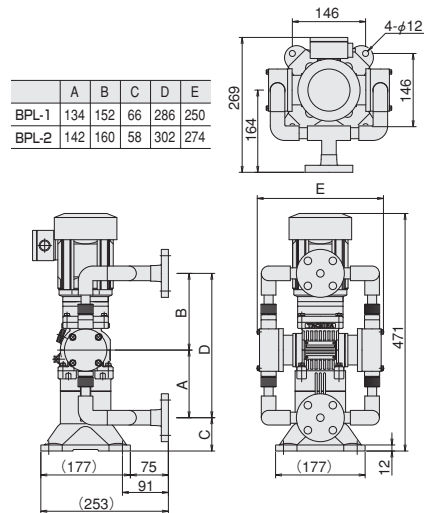
BPL-005/01/02/03/06

	A
BPL-005	226
BPL-01/02	232
BPL-03/06	236

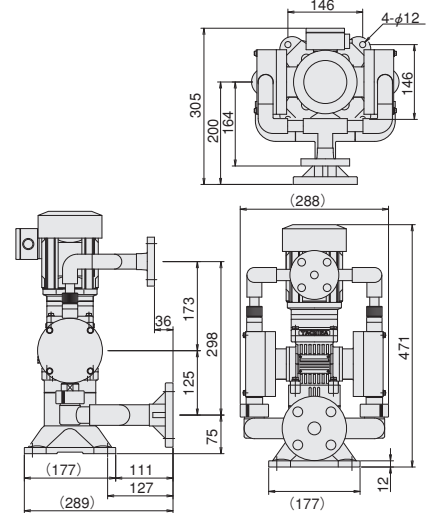


BPL-1/2

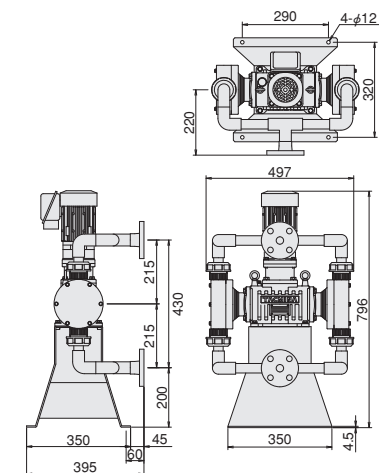
	A	B	C	D	E
BPL-1	134	152	66	286	250
BPL-2	142	160	58	302	274



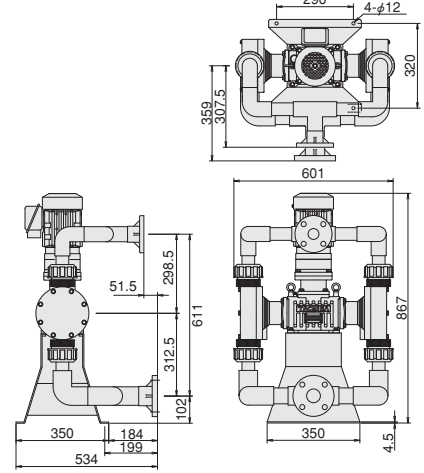
BPL-3/5



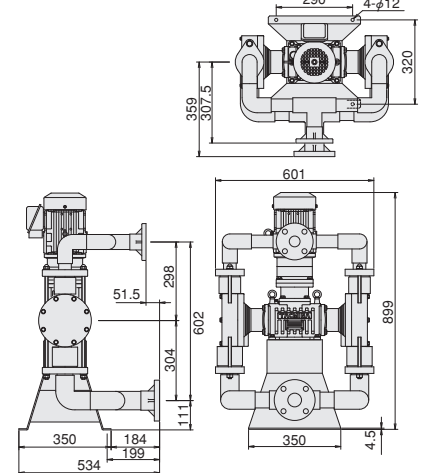
BPL-10



BPL-20



BPL-30



\* Dimensions for the VTCE/VT6F flange types are given. Contact us for details of the dimensions for other models.

\* The dimension of CE marking compatible-model differs. Contact your dealer or TACMINA

# Specifications

Specification		BPL-005	BPL-01	BPL-02	BPL-03	BPL-06	BPL-1	BPL-2	BPL-3	BPL-5	BPL-10	BPL-20	BPL-30	
Max. discharge volume ★1	L/H	3.3	9	12.6	18.6	37.8	72	126	186	300	660	1320	1980	
	L/min	0.055	0.15	0.21	0.31	0.63	1.2	2.1	3.1	5	11	22	33	
	US G/H	0.87	2.38	3.33	4.91	9.98	19	33.3	49.1	79.2	174	348	523	
Max. discharge pressure ★2	MPa	1.0						0.5						
	bar	10						5						
	psi	145						72		43.5		72		
Discharge volume control system		Motor-speed control by inverter												
Discharge volume control range	1:n	1:10						1:4		1:2		1:10		
	Hz	6 to 60						15 to 60		30 to 60		6 to 60		
Stroke speed	stroke/min	105			119		105			119		84		104
Stroke length	mm	2	3		6			4		6		10	13	20
Connection	Hose ★3	Discharge side	6x11PVC braided (standard)/6x8PE/1/4x3/8PE						12x18PVC braided (standard)					
		Suction side	12x18PVC braided (standard)											
	Flange ★4	Discharge side	JIS10K15A/ANSI150Lb 1/2B/DIN2501 PN10 DN15									JIS10K25A DIN2501 PN10DN25 ANSI150LB 1B		JIS10K40A DIN2501 PN10DN40 ANSI150LB 1-1/2B
		Suction side	JIS10K15A/ANSI150Lb 1/2B/DIN2501 PN10 DN15						JIS10K25A ANSI150Lb 1B DIN2501 PN10 DN25		JIS10K25A DIN2501 PN10DN25 ANSI150LB 1B		JIS10K50A DIN2501 PN10DN50 ANSI150LB 2B	
	Union	R3/8												
Screw	Rp1/2													
Transferrable temperature	Ambient temperature	0 to 40°C												
	Liquid temperature	PVC type: 0 to 40°C/SUS type: 0 to 60°C (no freezing allowed)												
Transferrable viscosity	Standard	50 mPa·s or less												
	High-viscosity type	—			2000mPa·s or less			1000mPa·s or less			2000mPa·s or less			
Motor	Type	Totally enclosed fan-cooling outdoor type												
	Power supply(V)/Frequency(Hz)/No. of poles	3-phase/200V(50 Hz)/60 Hz, 220V(60 Hz)/4P												
	Output(kW)	0.2									0.4	0.75	1.5	
	Reduction ratio	1/17			1/15		1/17			1/15		1/21	1/17	
	Rated current Max.startup current(A)	200V/50Hz	1.24/4.6						2.35/9.1		3.88/16		6.97/34.1	
		200V/60Hz	1.09/4.2						2.05/8.3		3.43/15.1		6.29/31.2	
		220V/60Hz	1.09/4.8						2.02/9.4		3.35/16.8		6.0/34.9	
		380V/50Hz	0.61/2.2						1.19/4.2		1.94/7.6		3.53/16.1	
		400V/50Hz	0.62/2.3						1.23/4.5		1.94/8.0		3.49/17.1	
		400V/60Hz	0.55/2.1						1.04/4.1		1.72/7.6		3.14/15.6	
440V/60Hz	0.55/2.4						1.04/4.6		1.67/8.4		3.0/17.5			
Insulation class	E [F]													
Cable conduit connection diameter	PF1/2 [M2.4x1.5 M16x1.5]									PF1/2		PF3/4		
Pump paint color	Body : Munsell (approximate) 10YR7.5/14/Motor: Munsell (approximate) N5.5													
Weight	VTCE/VTCF flange type(kg)	11 [12]			12 [13]		13 [14]	15 [16]		46	64	70		
	STST flange type(kg)	15 [16]			16 [17]		18 [19]	25 [26]		64	86	94		

\* The specifications and capacity listed are for the VTCE/VTCF type. (However, union connection cannot be selected for the VTCE/VTCF type.)

\* The numbers or letters inside of [ ] stands for specifications of CE model.

\*1 The discharge volume applies to a pressure of 0.2 MPa.

\*2 In the case of models BPL-3 and BPL-5, the maximum discharge pressure is 0.3 MPa when a setting of 1:10 (6 to 60 Hz) is used for the discharge volume control range.

\*3 STST type discharge side: BPL-005 to -02, 10 mm dia. x 12 mm dia.; BPL-03 to -2, 12 mm dia. x 15 mm dia.; suction side: 12 mm dia. x 15 mm dia.

\*4 Only 380V, 400V and 440V motor can be selected for ANSI/DIN connection type. Only 380V and 400V motor (50Hz) can be selected for CE marking-compatible model.

Product designs and specifications are subject to change without notice for product improvement.

## TACMINA CORPORATION

### Head Office:

2-2-14 Awajimachi, Chuo-ku, Osaka 541-0047 Japan  
Tel.+81(0)6-6208-3974 Fax.+81(0)6-6208-3978  
URL <http://www.tacmina.com>  
E-mail [trade@tacmina.com](mailto:trade@tacmina.com)

EC-048 (5) 05

2012/2/ASS



JQA A-1274  
JQA-EM037 Production Department